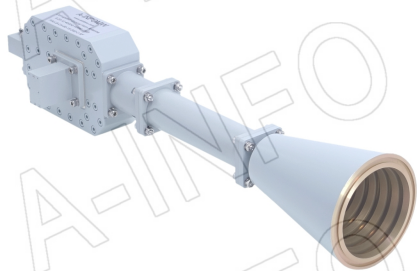


For reference only. See data sheet for the detailed specifications.

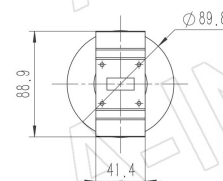
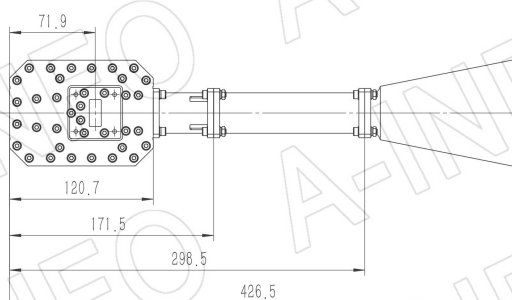
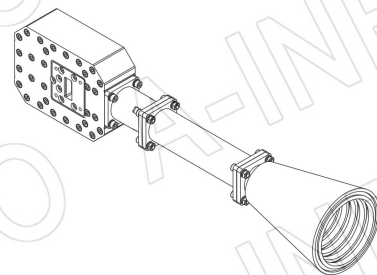
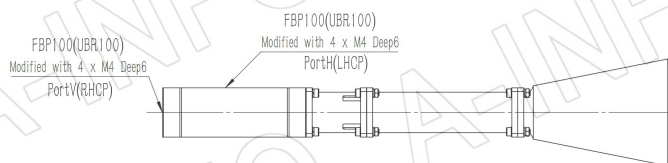
Technical Specification



Frequency Range(GHz)	8.2 – 12.4
Waveguide	WR90
Gain(dBic)	15 Typ.
Polarization	Dual Circular
Axial Ratio(dB)	2.0 Typ. ; 4.0 Max.
3dB Beamwidth(deg)	E Plane: 30 Typ.
	H Plane: 30 Typ.
Port to Port Isolation(dB)	20 Typ. ; 10 Min.
VSWR	A Type: 1.40:1 Typ.
	C Type: 1.50:1 Typ.
Output	A Type: FBP100(UBR100) SMA-Female or N-Female
	C Type: TNC-Female or 7mm or 3.5mm-Female
Material	Al
Finish	Silver Plated and Chemical Conversion Coating, Gray Paint
Size(mm)	A Type: 89.8 x 89.8 x 426.5
	C Type: 103.6 x 89.9 x 464.5
Net Weight(Kg)	A Type: 1.73 Around
	C Type: 1.85 Around

Outline Drawing (Size: mm)

FBP100 Output (P/N: LB-CH-90-15-D02-A)



AINFO Inc.

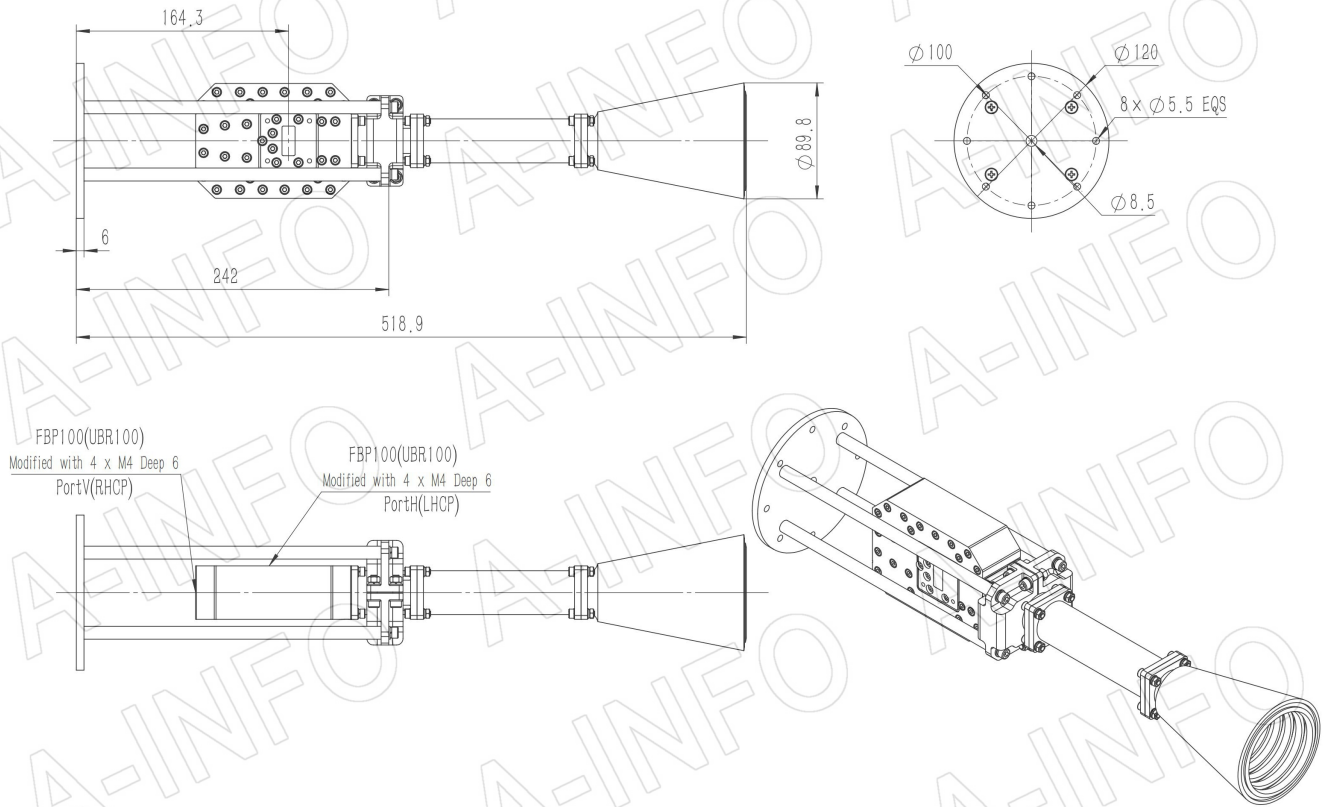
China(Beijing): Tel: (+86) 10-6266-7326,
China(Chengdu): Tel: (+86) 28-8519-2786,
USA : Tel: (+1) 949-639-9688,

Page 1 of 13

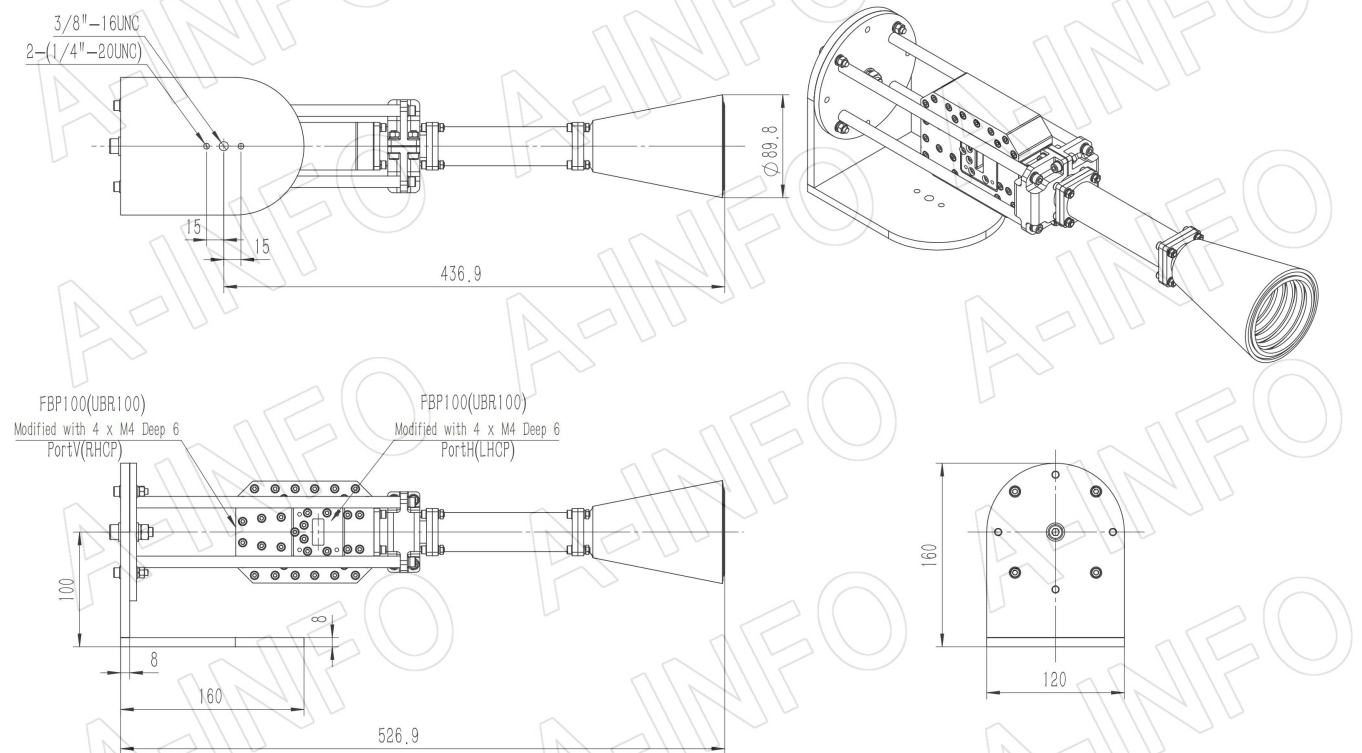
(+86) 10-6266-7327 Fax: (+86) 10-6266-7379
(+86) 28-8519-3044 Fax: (+86) 28-8519-3068
(+1) 949-639-9608 Fax: (+1) 949-639-9670

Website: www.ainfoinc.com
Email: sales@ainfoinc.com

FBP100 Output with Round Mounting Bracket (Option, P/N: LB-CN-90-10-MB)

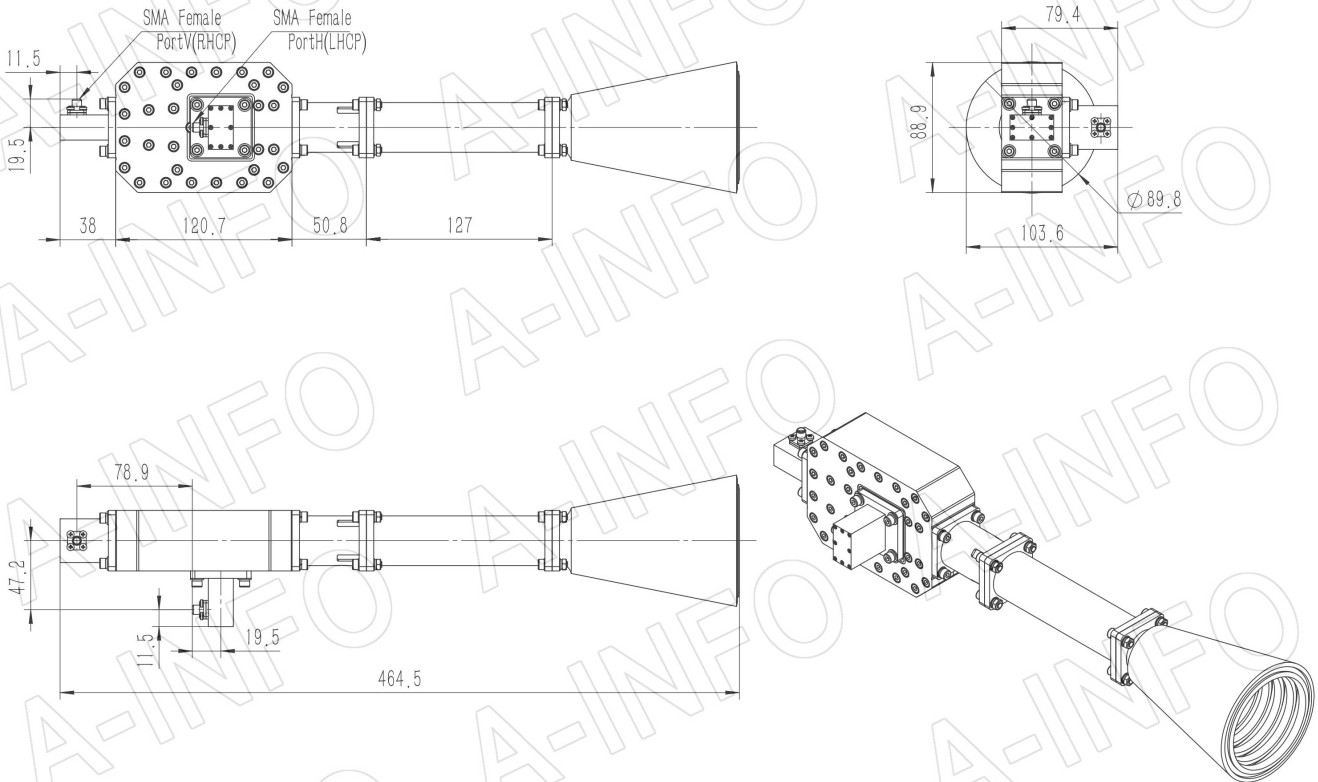


FBP100 Output with L Type Mounting Bracket (Option, P/N: LB-CN-90-10-MBL)



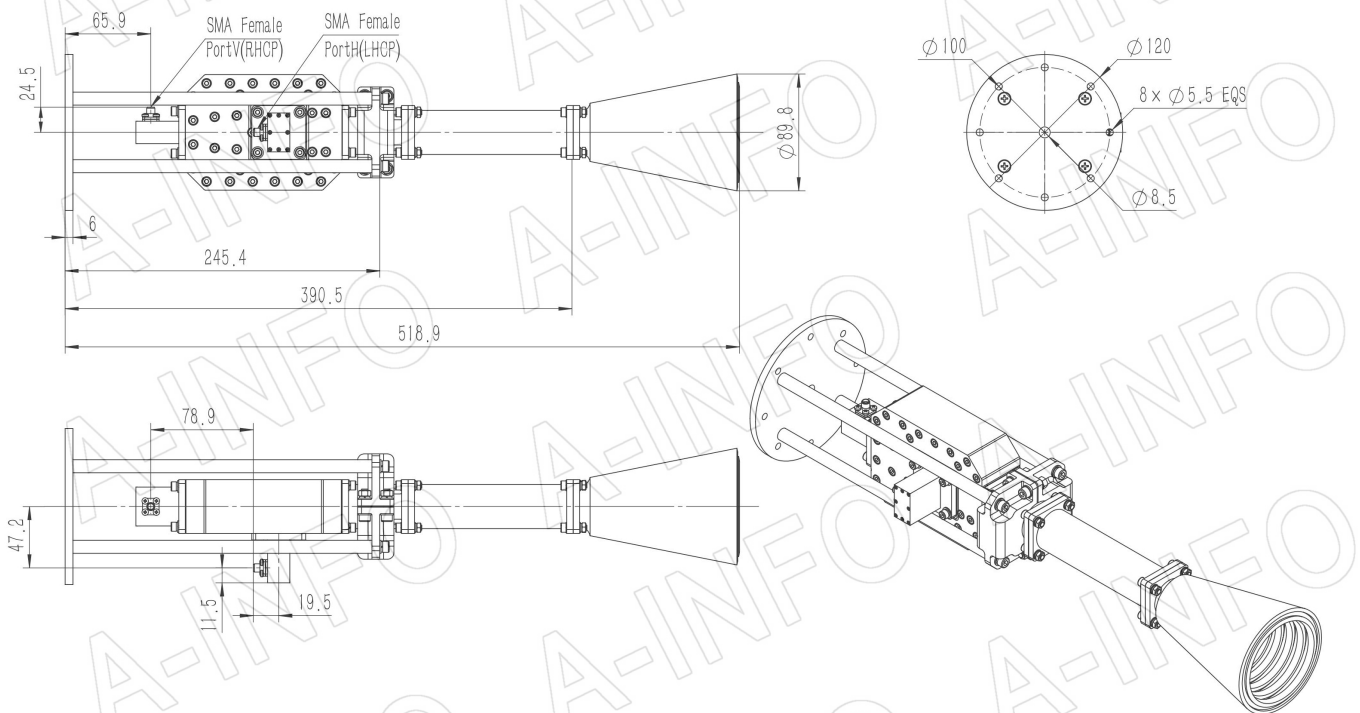
SMA-Female Output (P/N: LB-CH-90-15-D02-C-SF)

For N-Female, TNC-Female, 7mm or 3.5mm-Female output outline drawing, please contact A-INFO.



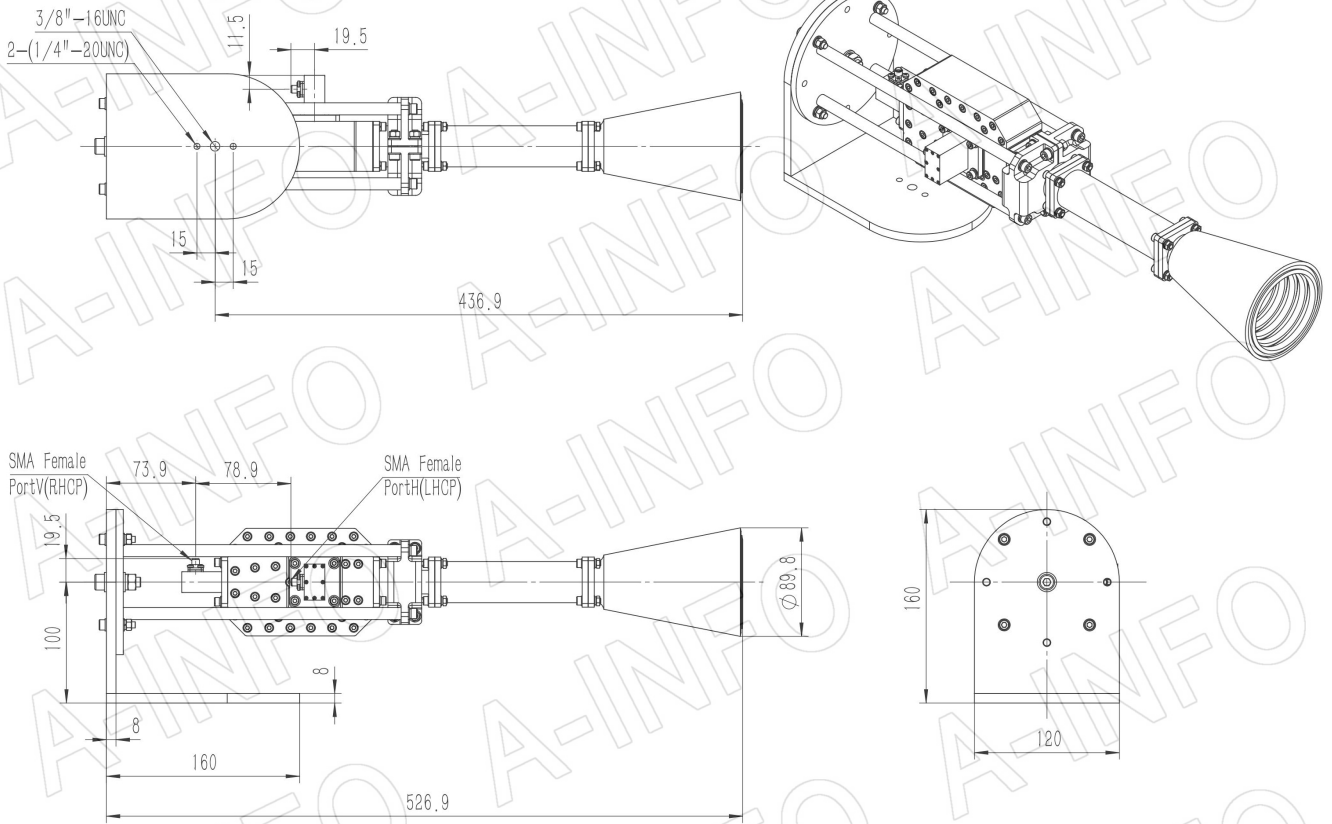
SMA-Female Output with Round Mounting Bracket (Option, P/N: LB-CNH-90-10-MB)

For N-Female, TNC-Female, 7mm or 3.5mm-Female output outline drawing, please contact A-INFO.

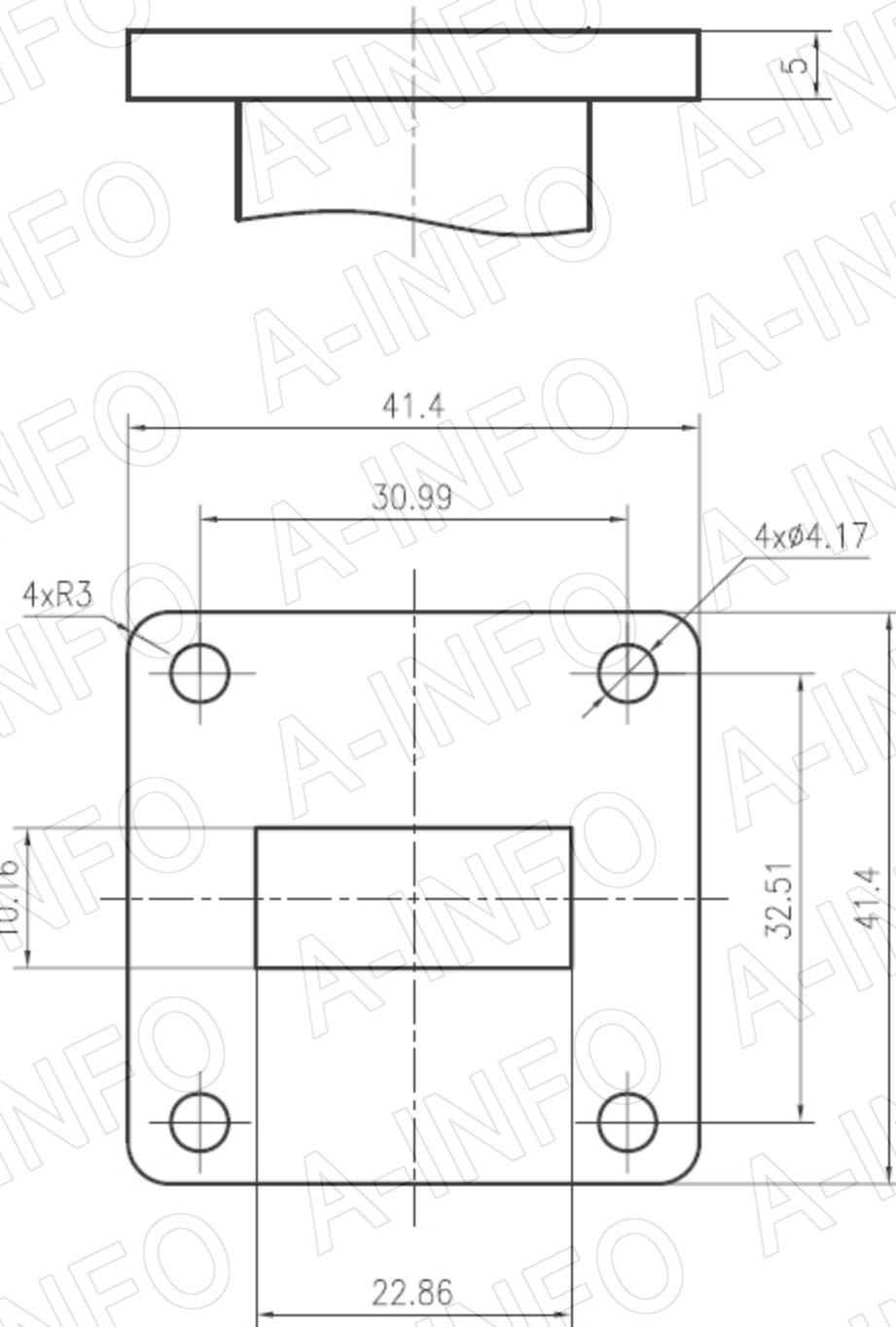


SMA-Female Output with L Type Mounting Bracket (Option, P/N: LB-CNH-90-10-MBL)

For N-Female, TNC-Female, 7mm or 3.5mm-Female output outline drawing, please contact A-INFO.



Flange Drawing (Size: mm)



FBP100

AINFO Inc.

China(Beijing): Tel: (+86) 10-6266-7326,
China(Chengdu): Tel: (+86) 28-8519-2786,
USA : Tel: (+1) 949-639-9688,

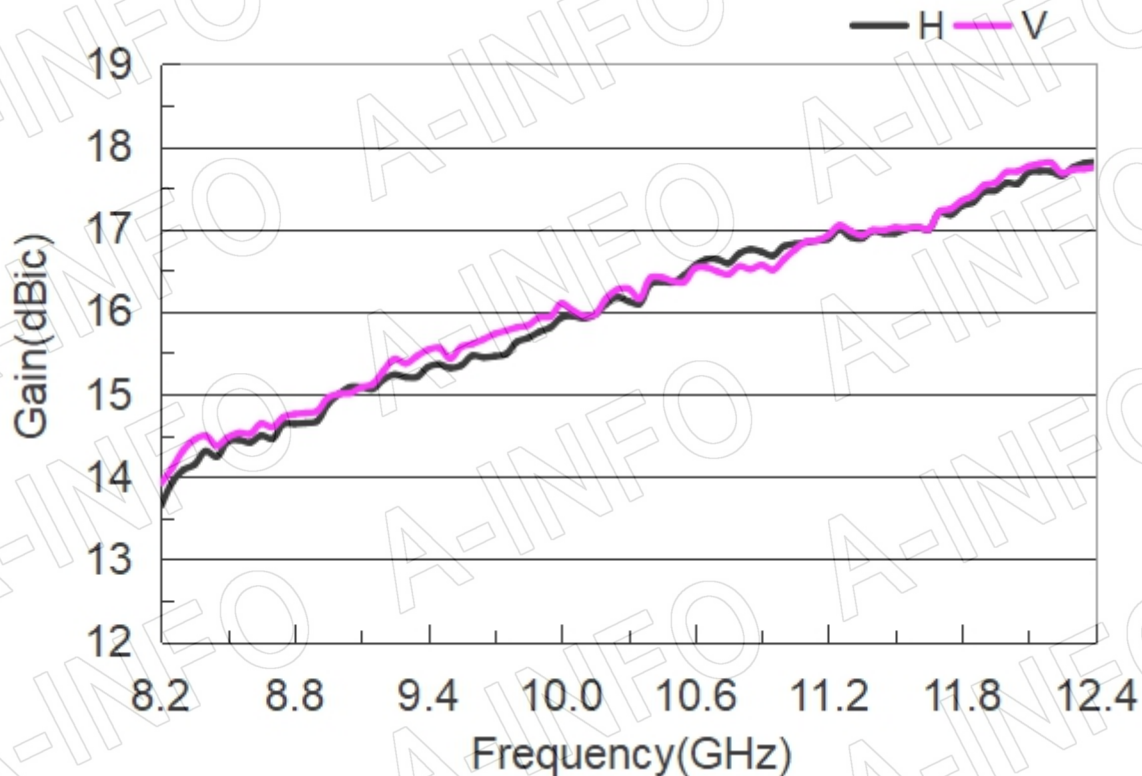
Page 5 of 13

(+86) 10-6266-7327 Fax: (+86) 10-6266-7379
(+86) 28-8519-3044 Fax: (+86) 28-8519-3068
(+1) 949-639-9608 Fax: (+1) 949-639-9670

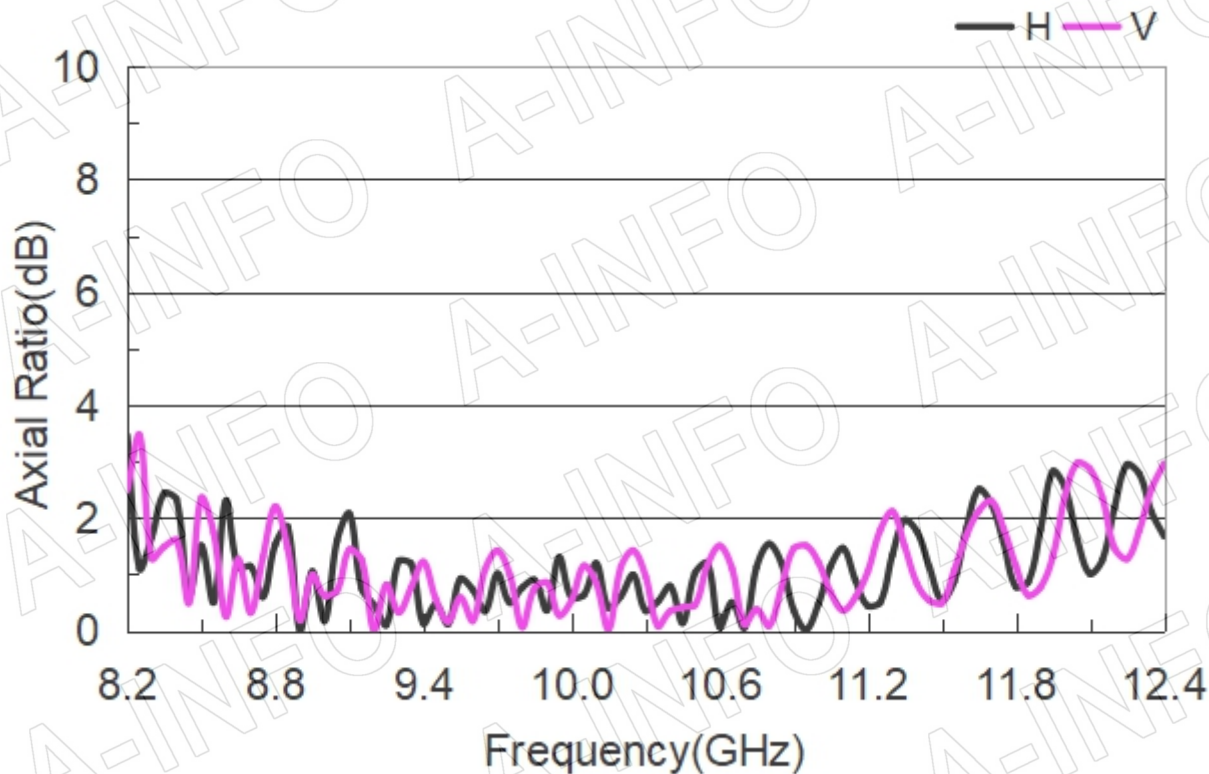
Website: www.ainfoinc.com
Email: sales@ainfoinc.com

Test Results

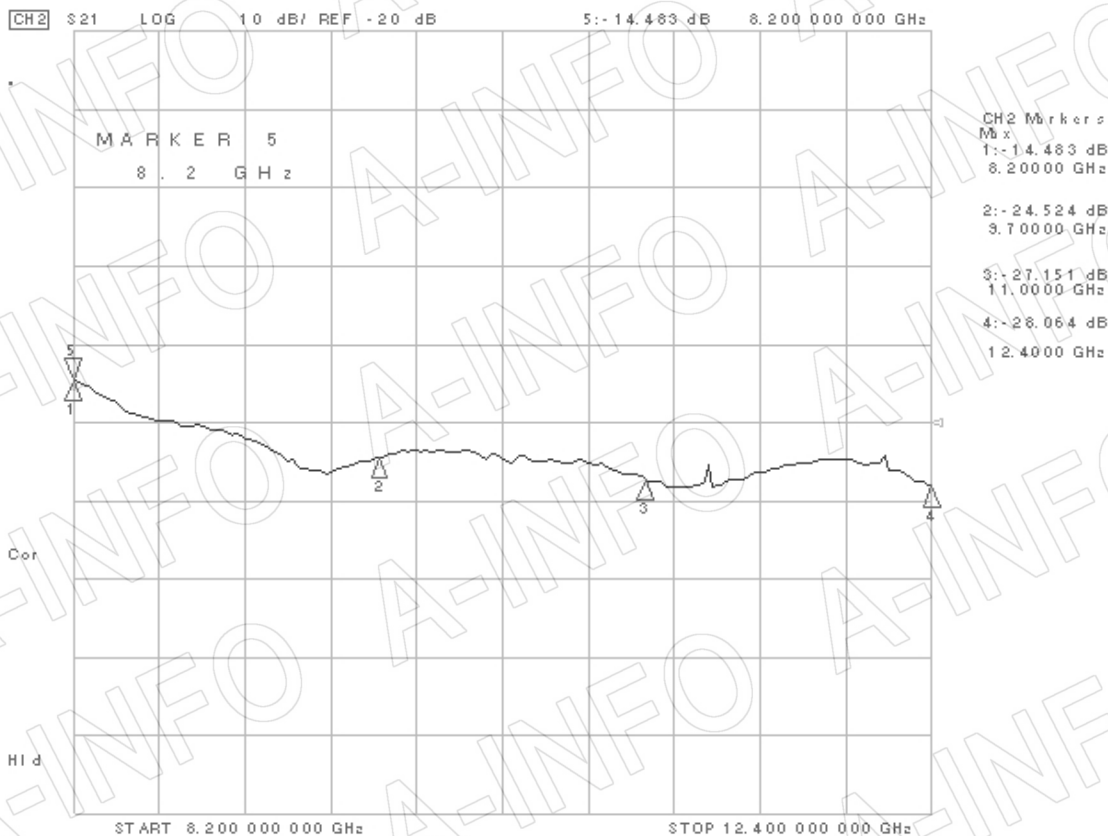
1. Gain



2. Axial Ratio

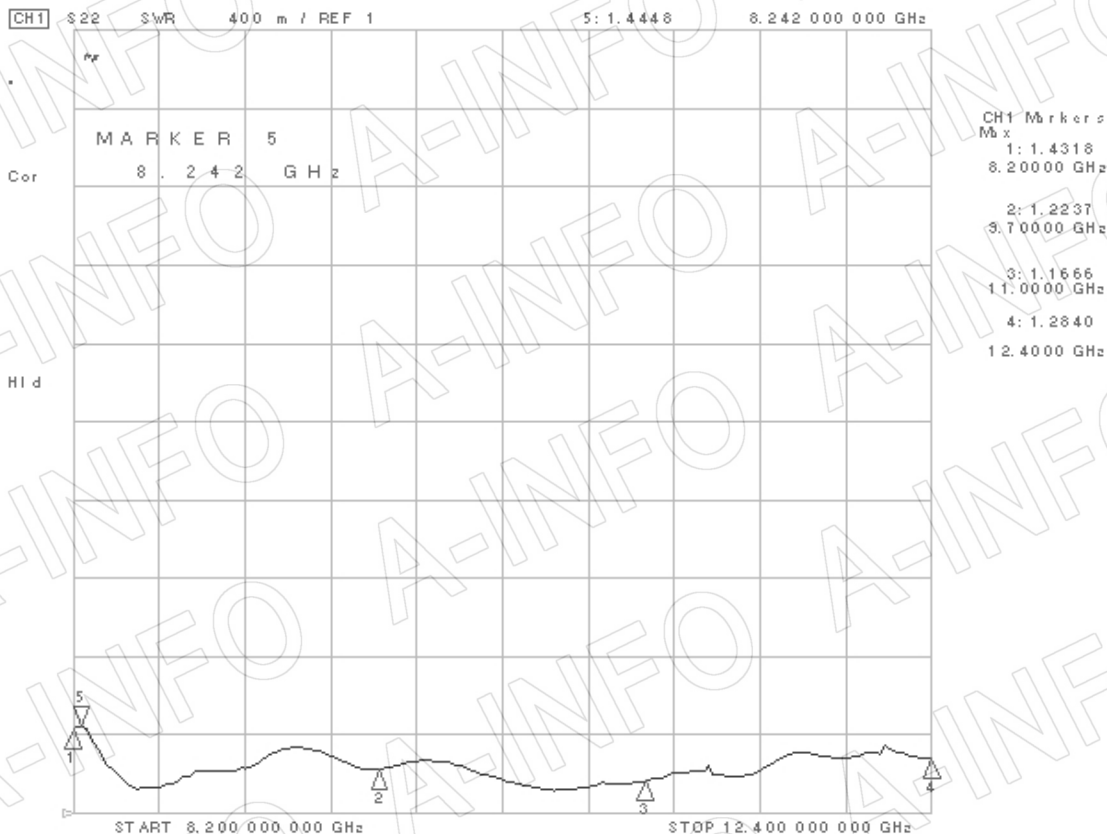


3. Port to Port Isolation

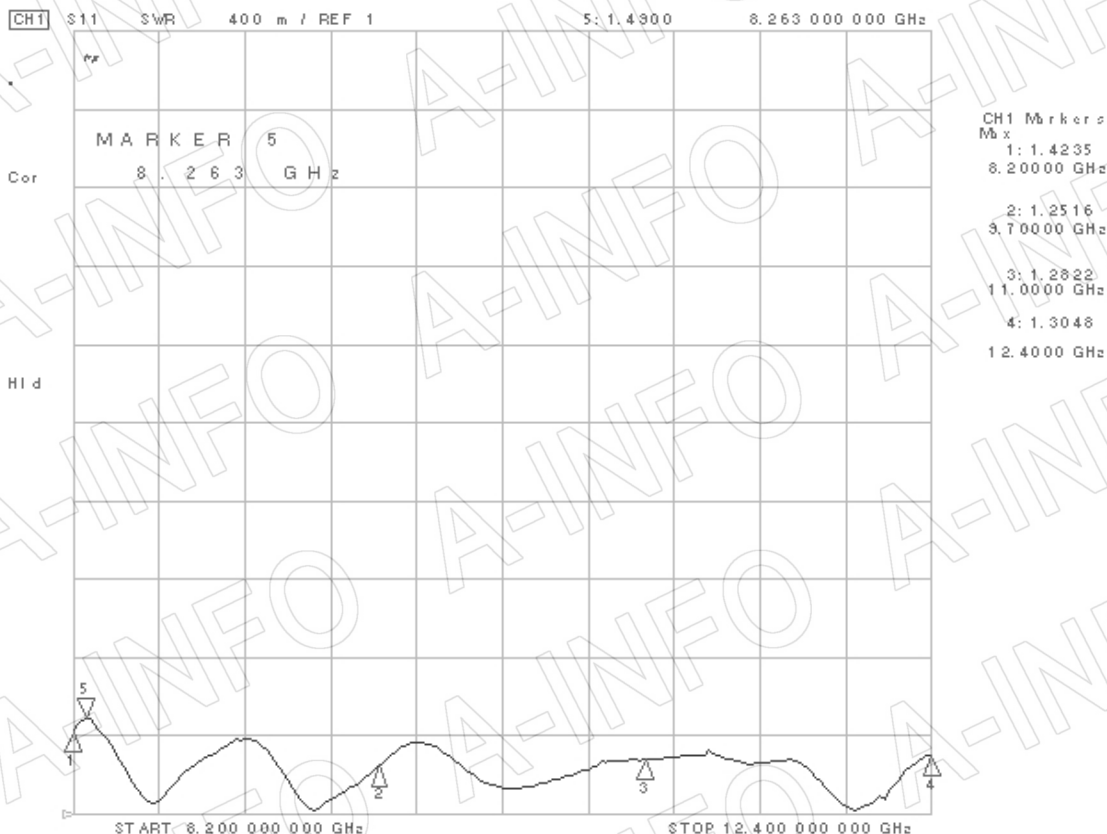


4. VSWR_A Type

Port-H

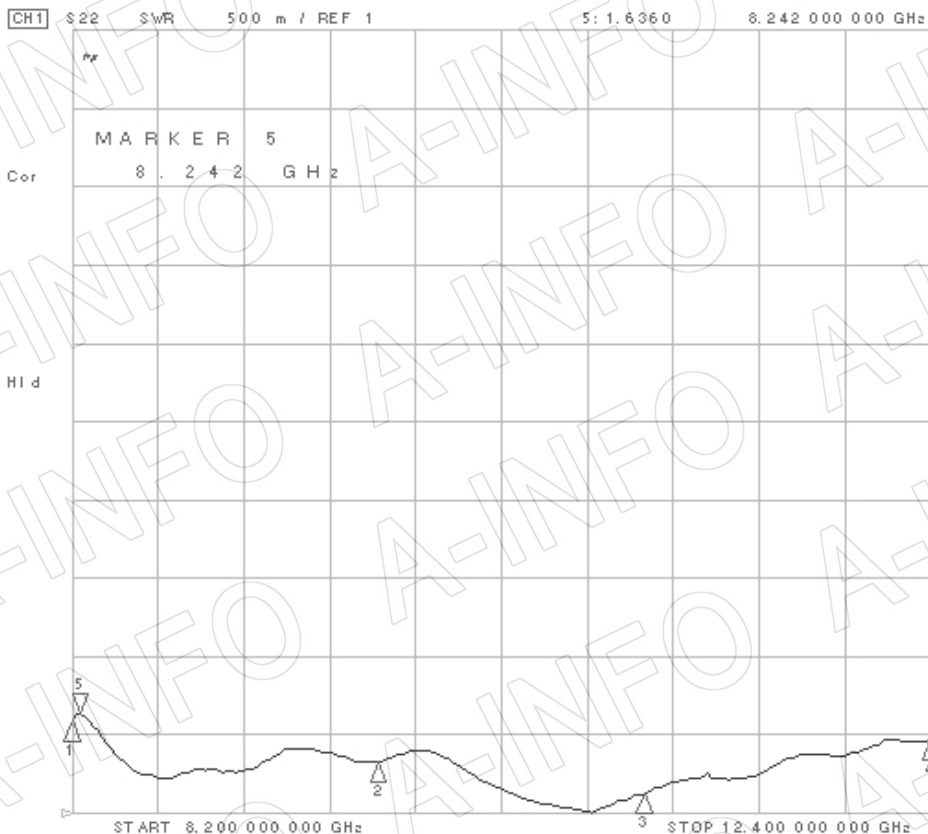


Port-V

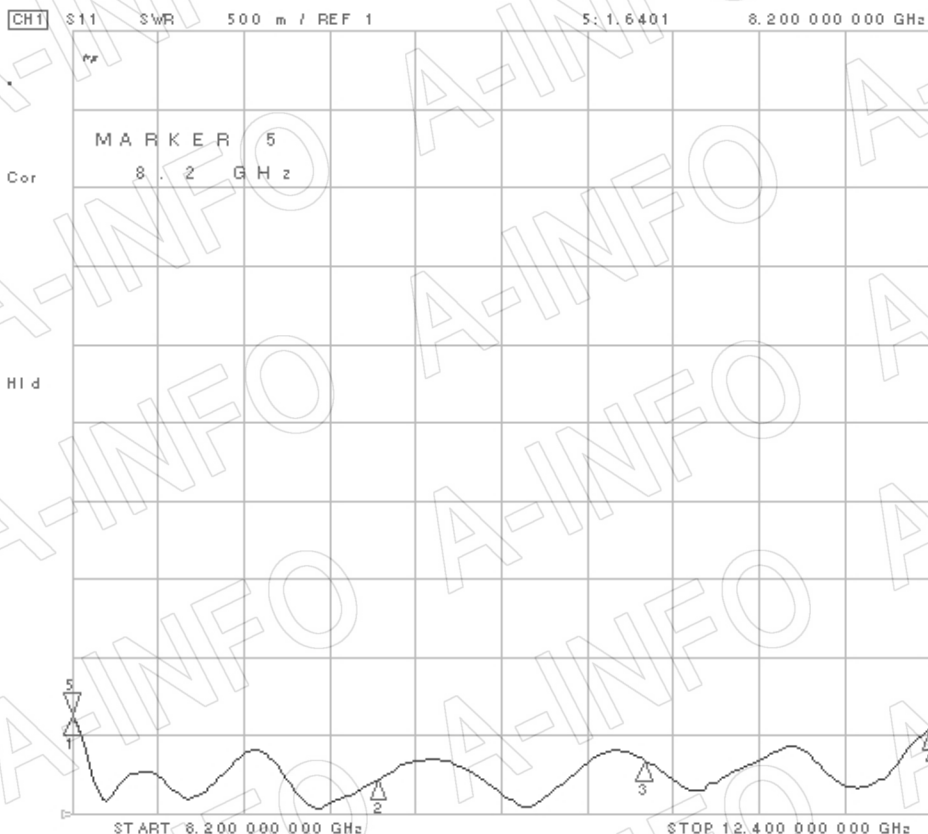


VSWR_C Type

Port-H

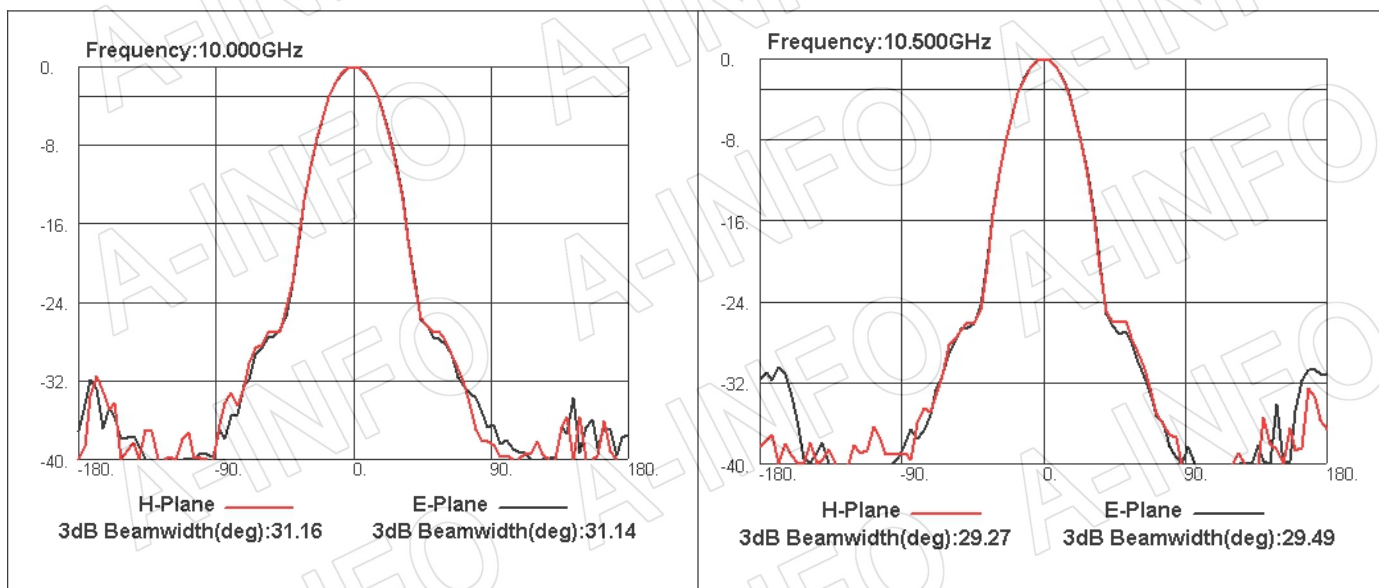
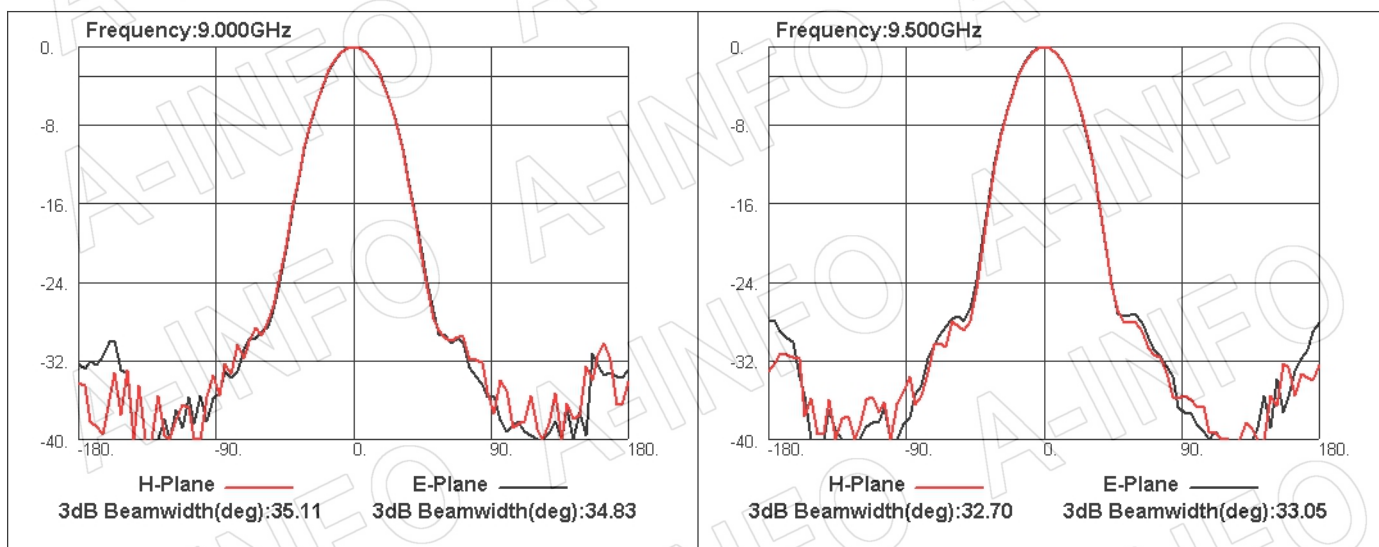
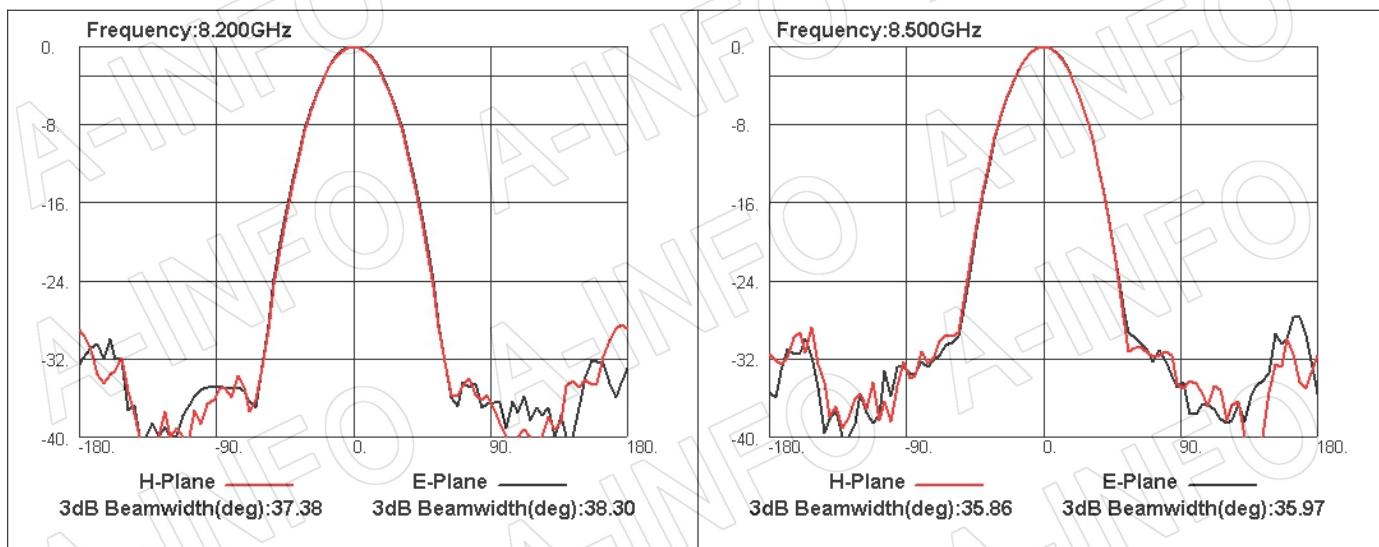


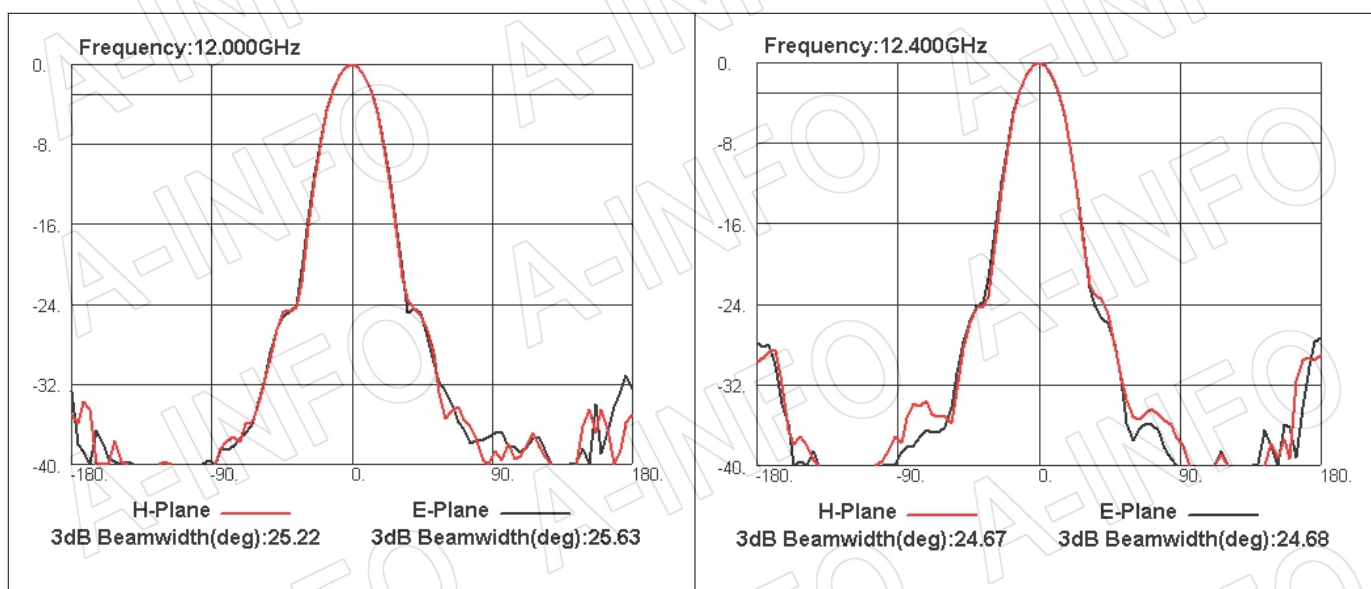
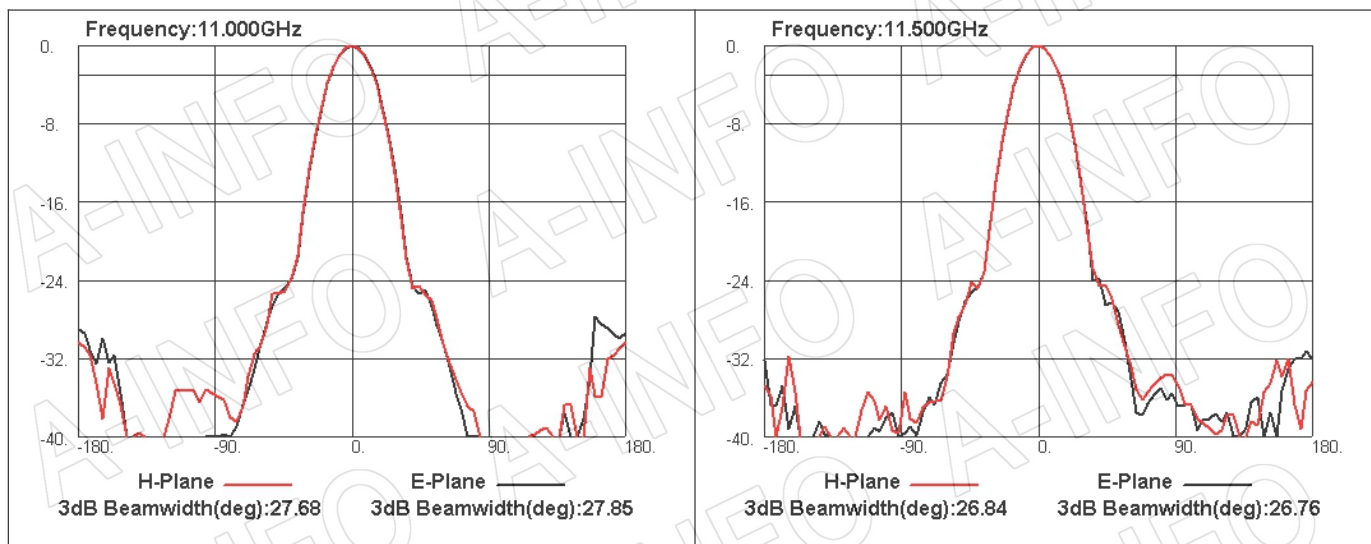
Port-V



5. Pattern

Port-H





Port-V

